

# O432



## FLAT HINGE WITH THREADED FEMALE AND MALE INSERTS

### Material:

Reinforced polyamide.  
Oils and greases resistant.

### Surface:

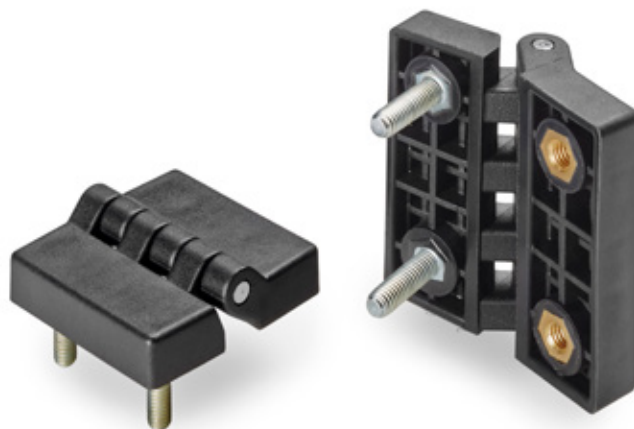
Satin.

### Colour:

Black (RAL 9011).

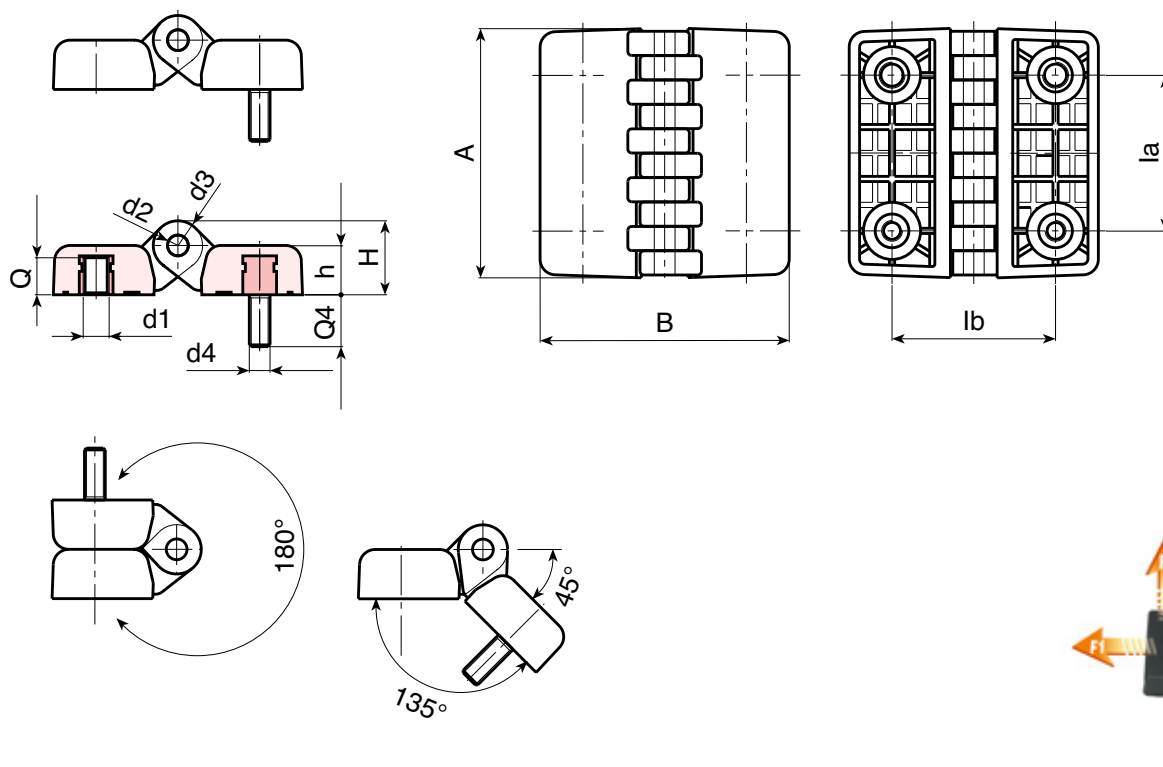
### Inserts:

- Zinc plated steel pin.
- Brass blind threaded bush (tolerance 6H).
- Zinc plated steel threaded stud (tolerance 6g).



### SPECIAL REQUESTS:

- It is possible to supply inserts in different materials, on request and for quantities.
- It is possible to supply colours as shown in the table on page O-19, on request and for quantities.



	art.	la	lb	A	B	h	H	d2	d3	d1-d4	Q	Q4	$\Delta$ g	F1 (N)	F2 (N)
●	O43230.TM0501	30	30	48	48	10,5	15,5	5	10	M05	7	15	40	1850	1350
●	O43230.TM0601	30	30	48	48	10,5	15,5	5	10	M06	7	15	41	1850	1350
●	O43240.TM0601	40	40	64	64	13	19	5	12	M06	9	20	73	4000	1600
●	O43240.TM0801	40	40	64	64	13	19	5	12	M08	9	20	85	4000	1600
●	O43260.TM0801	60	63	95	95	19	28,5	8	18	M08	13	20	240	3100	1400
●	O43260.TM1001	60	63	95	95	19	28,5	8	18	M10	13	20	250	3100	1400