

O520 NEW



VERTICAL ZAMAK HINGE WITH SINGLE THREADED MOUNT

Material:

(1-2) Die-cast zamak alloy (zinc, aluminium and copper alloy).

Surface finish:

Light sandblasting.

Colour:

(01) Black epoxy powder coated, (RAL 9011).

(Z) Standard blue galvanising.

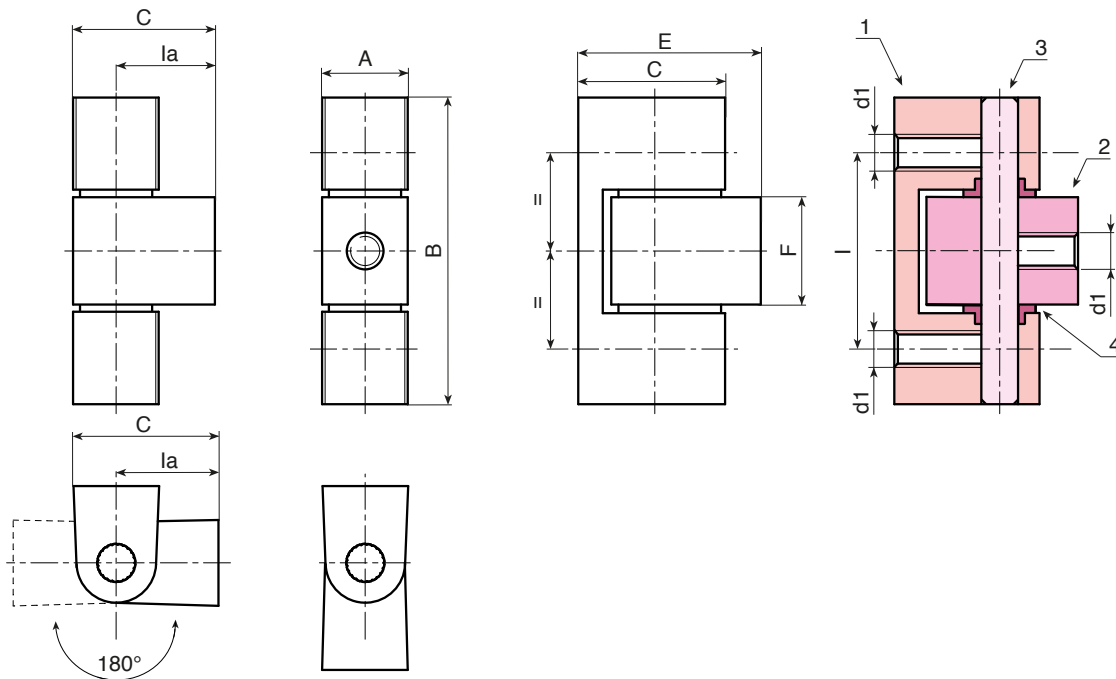
Inserts:

(3) Stainless steel (Aisi 304) hinge pivot pin.

(4) Natural PA6 spacer bush.

Holes:

Threaded holes obtained by M06 moulding.



Black coated version code **01**

art.	I	la	A	B	C	E	F	d1	g
O520032.ZM0601	32	12	14	50	19	24	17,5	M06	78

Galvanised version code **Z**

art.	I	la	A	B	C	E	F	d1	g
O520032.ZM06Z	32	12	14	50	19	24	17,5	M06	78

Presumable presence in the stock in % **90%** **40%** **5%**

