

# UNIVERSAL ANTI-SLIP BASE FOR FOOT BASE

## ANT.PIE



**Material:**

Thermoplastic vulcanized rubber TPV 75 Shore.  
Oils and greases resistant.

**Surface:**

Smooth.

**Colour:**

Black (RAL 9011)

**Montaggio:**

A pressione, con colla.

**SPECIAL REQUESTS:**

- None.



	Art.	for FOOT BASE	g
	PIE.ANT40S12.4TPV	PIE.040S12.4	5
	PIE.ANT50S12.4TPV	PIE.050S12.4	6,5
	PIE.ANT60S12.4TPV	PIE.060S12.4 - PIE.060S15	10
	PIE.ANT80S1215TPV	PIE.080S12,4 - PIE.080S15	17
	PIE.ANT80S24TPV	PIE.080S24	25
	PIE.ANT105S15TPV	PIE.105S15	33
	PIE.ANT105S24TPV	PIE.105S24	69
	PIE.ANT130S15TPV	PIE.130S15	74
	PIE.ANT130S24TPV	PIE.130S24	112

Presumable presence in the stock in %

() 90% () 40% () 5% ()

BOTECO® - © All right reserved - [www.boteco.it](http://www.boteco.it)  
Any unauthorized reproduction is strictly forbidden



**BOTECO**

# P200

# KNURLED MOUNTING FOOT WITH THREADED STUD



**Material:**  
Polyethylene.

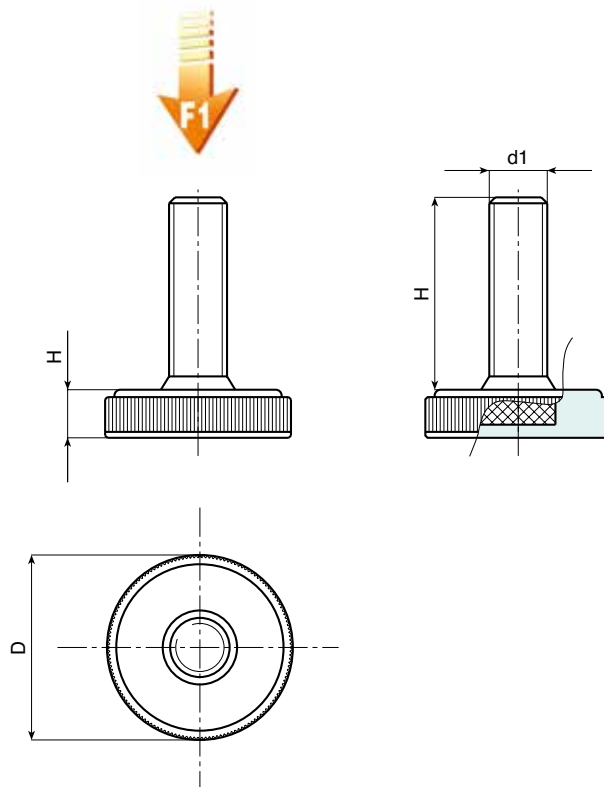
**Surface:**  
Satin.

**Colour:**  
Black (RAL 9011).

**Insert:**  
Zinc plated steel threaded stud.

### SPECIAL REQUESTS:

- It is possible to supply the inserts with different lengths, on request and for quantities (minimum quantity 10.000 pcs).



	Art.	D	H	d1	Q	g	F1 (N)
	P20025.TM06X1701	25	7	M06	17	7	1000
	P20025.TM08X2501	25	7	M08	25	14	1000
	P20025.TM10X3501	25	7	M10	35	25	1000
	P20035.TM08X2501	35	9	M08	25	18	1000
	P20035.TM10X..01	35	9	M10	25-40	25-32	1000
	P20040.TM10X3501	40	9	M10	35	35	1000
	P20050.TM10X3501	50	9,5	M10	35	40	1000
	P20060.TM10X3501	60	10,5	M10	35	50	1000

Enter the stud length in the two . . of the code number

**P - MOUNTING FEET**

ver. PUK.16-0613



**BOTECA**

P - 2

Presumable presence in the stock in %

90% 40% 5%

www.boteco.it - © All right reserved - BOTECA®  
Any unauthorized reproduction is strictly forbidden

# P201



HDPE

UL94  
HB



## MOUNTING FOOT WITH REVOLVING THREADED STUD

### Material:

Polyethylene.

### Surface:

Satin.

### Colour:

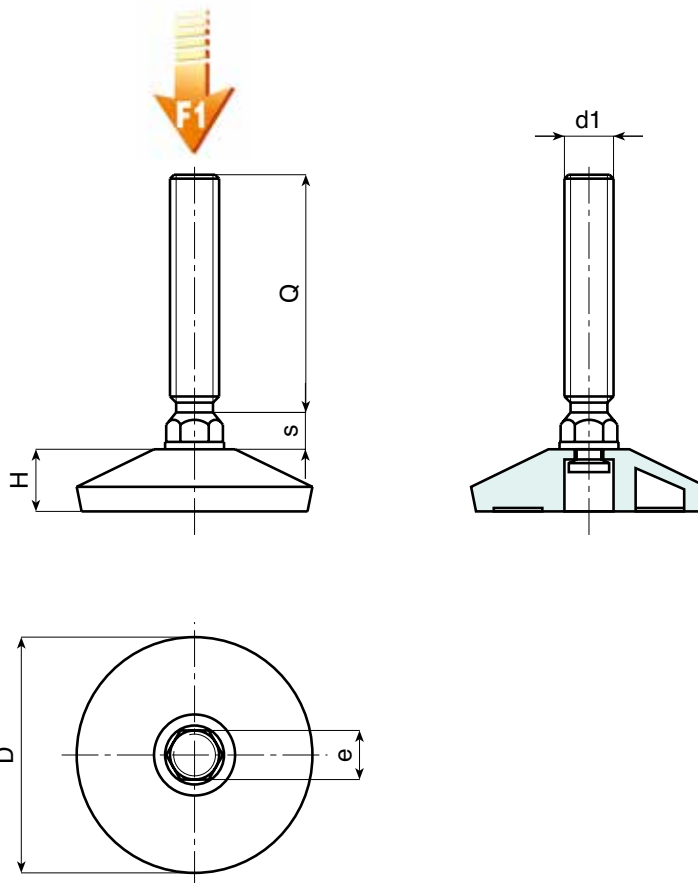
Black (RAL 9011).

### Insert:

Zinc plated steel revolving threaded stud.

### SPECIAL REQUESTS:

- It is possible to supply the inserts with different lengths, on request and for quantities (minimum quantity 10.000 pcs).



Art.	D	H	e	s	d1	Q	g	F1 (N)
P20140.TM10X..01	37	11,5	⬡ 10	6	M10	25	28-31	2000
P20150.TM10X3001	49	13	⬡ 10	6	M10	30	35	2000
P20150.TM12X3501	49	13	⬡ 12	6	M12	35	48	2000

Enter the stud length in the two . . of the code number

P - MOUNTING FEET

ver. PUK.16-0613



BOTECA

P - 4

Presumable presence in the stock in %

90% 40% 5%

www.boteco.it - © All right reserved - BOTECA®  
Any unauthorized reproduction is strictly forbidden

# MOUNTING FOOT WITH THREADED STUD

## P202



**Material:**

Polyethylene.

**Surface:**

Satin.

**Colour:**

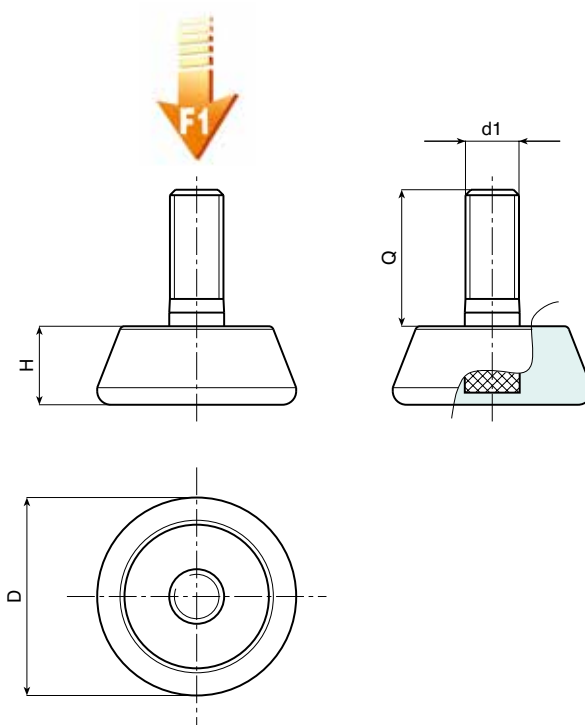
Black (RAL 9011).

**Insert:**

Zinc plated steel threaded stud.

**SPECIAL REQUESTS:**

- It is possible to supply the inserts with different lengths, on request and for quantities (minimum quantity 10.000 pcs).



Art.	D	H	d1	Q	g	F1 (N)
P20230.TM08X2001	29	11,5	M08	20	17	1000
P20230.TM10X2001	29	11,5	M10	20	20	1000
P20240.TM08X2501	40	13,5	M08	25	29	1000
P20240.TM10X2501	40	13,5	M10	25	33	1000
P20250.TM10X3501	48	15,5	M10	35	54	1000
P20250.TM12X3501	48	15,5	M12	35	65	1000
P20260.TM10X3701	60	17,5	M10	37	78	1000
P20260.TM12X3701	60	17,5	M12	37	8	1000

Presumable presence in the stock in %

(📦) 90% (😊) 40% (😐) 5% (😞)

BOTECO® - © All right reserved - [www.boteco.it](http://www.boteco.it)

Any unauthorized reproduction is strictly forbidden



**BOTECO**

**P - MOUNTING FEET**

# MOUNTING FOOT WITH REVOLVING THREADED STUD

**P203**



HDPE

UL94  
HB



**Material:**

Polyethylene.

**Surface:**

Satin.

**Colour:**

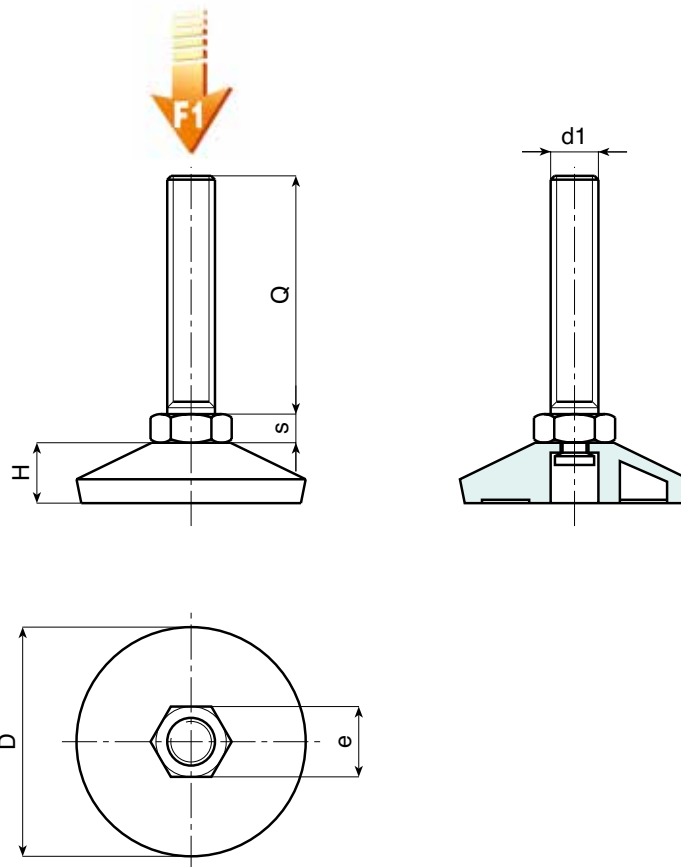
Black (RAL 9011).

**Insert:**

Zinc plated steel revolving threaded stud.

**SPECIAL REQUESTS:**

- None.



	Art.	D	H	e	s	d1	Q	g	F1 (N)
	P20340.TM10X..01	37	11,5	⬡ 17	6,5	M10	40-60	39-49	2000
	P20350.TM10X..01	49	13	⬡ 17	6,5	M10	40-60	44-54	2000

Enter the stud length in the two . . of the code number

Presumable presence in the stock in %

90% 40% 5%


BOTECO® - © All right reserved - [www.boteco.it](http://www.boteco.it)

Any unauthorized reproduction is strictly forbidden



**BOTECO**


## P800 Version - Floor-anchor mounting feet with revolving threaded stud with self-locking nut

	Art.	D	H	I	H1	h	A	s	d2	d3	C	d1	Q	g	F1 (N)
⊗	P800080.TM12X..01	80	20	54	28	16	20	8	9	M08	10	M12	50-70-90-110-130-150-170-190	*	13000
⊗	P800080.TM14X..01	80	20	54	28	16	20	8	9	M08	12	M14	50-70-90-110-130-150-170-190	*	13000
⊗	P800080.TM16X..01	80	20	54	28	16	20	8	9	M08	13	M16	50-70-90-110-130-150-170-190	*	13000
⊗	P800080.TM20X..01	80	20	54	28	16	20	8	9	M08	19	M20	50-70-90-110-130-150-170-190	*	13000
⊗	P800105.TM12X..01	105	22	74	30	18,5	21	8	11	M10	10	M12	50-70-90-110-130-150-170-190	*	15000
⊗	P800105.TM14X..01	105	22	74	30	18,5	21	8	11	M10	12	M14	50-70-90-110-130-150-170-190	*	15000
⊗	P800105.TM16X..01	105	22	74	30	18,5	21	8	11	M10	13	M16	50-70-90-110-130-150-170-190	*	15000
⊗	P800105.TM20X..01	105	22	74	30	18,5	21	8	11	M10	17	M20	50-70-90-110-130-150-170-190	*	15000
⊗	P800105.TM24X..01	105	22	74	30	18,5	21	8	11	M10	19	M24	50-70-90-110-130-150-170-190	*	15000
⊗	P800105.TM30X..01	105	22	74	30	18,5	21	8	11	M10	24	M30	50-70-90-110-130-150-170-190	*	15000
⊗	P800130.TM16X..01	130	24	99	32	20	21	8	13	M10	13	M16	50-70-90-110-130-150-170-190	*	17000
⊗	P800130.TM20X..01	130	24	99	32	20	21	8	13	M10	17	M20	50-70-90-110-130-150-170-190	*	17000
⊗	P800130.TM24X..01	130	24	99	32	20	21	8	13	M10	19	M24	50-70-90-110-130-150-170-190	*	17000
⊗	P800130.TM30X..01	130	24	99	32	20	21	8	13	M10	24	M30	50-70-90-110-130-150-170-190	*	17000

Enter the stud length in the two . . of the code number. It's possible to have different lengths, by customers requests. Minimum 100 pieces.

\* = See table pag. 29

## P801 Version - Floor-anchor mounting feet with revolving threaded stud with circlip fastener

	Art.	D	H	I	H1	h	A	s	d2	d3	C	d1	Q	g	F1 (N)
⊗	P801080.TM12X..01	80	20	54	28	16	20	8	9	8	10	M12	50-70-90-110-130-150-170-190	*	13000
⊗	P801080.TM14X..01	80	20	54	28	16	20	8	9	8	12	M14	50-70-90-110-130-150-170-190	*	13000
⊗	P801080.TM16X..01	80	20	54	28	16	20	8	9	8	13	M16	50-70-90-110-130-150-170-190	*	13000
⊗	P801080.TM20X..01	80	20	54	28	16	20	8	9	8	19	M20	50-70-90-110-130-150-170-190	*	13000
⊗	P801105.TM12X..01	105	22	74	30	18,5	21	8	11	10	10	M12	50-70-90-110-130-150-170-190	*	15000
⊗	P801105.TM14X..01	105	22	74	30	18,5	21	8	11	10	12	M14	50-70-90-110-130-150-170-190	*	15000
⊗	P801105.TM16X..01	105	22	74	30	18,5	21	8	11	10	13	M16	50-70-90-110-130-150-170-190	*	15000
⊗	P801105.TM20X..01	105	22	74	30	18,5	21	8	11	10	17	M20	50-70-90-110-130-150-170-190	*	15000
⊗	P801105.TM24X..01	105	22	74	30	18,5	21	8	11	10	19	M24	50-70-90-110-130-150-170-190	*	15000
⊗	P801105.TM30X..01	105	22	74	30	18,5	21	8	11	10	24	M30	50-70-90-110-130-150-170-190	*	15000
⊗	P801130.TM16X..01	130	24	99	32	20	21	8	13	10	13	M16	50-70-90-110-130-150-170-190	*	17000
⊗	P801130.TM20X..01	130	24	99	32	20	21	8	13	10	17	M20	50-70-90-110-130-150-170-190	*	17000
⊗	P801130.TM24X..01	130	24	99	32	20	21	8	13	10	19	M24	50-70-90-110-130-150-170-190	*	17000
⊗	P801130.TM30X..01	130	24	99	32	20	21	8	13	10	24	M30	50-70-90-110-130-150-170-190	*	17000

Enter the stud length in the two . . of the code number. It's possible to have different lengths, by customers requests. Minimum 100 pieces.

\* = See table pag. 29

# P800 - P801



## Material:

Reinforced polyamide.  
Oils and greases resistant.

## Surface:

Satin.

## Colour:

Black (RAL 9011).

## Inserts:

### Version P800:

(2) Stainless steel washer AISI 304.

(1) Stainless steel self-locking nut UNI 7474 AISI 304.

Zinc plated steel turned threaded stud, with threaded fastening end.

### Version P801:

(2) Stainless steel washer AISI 304.

(1) Black-oxide treated circlip UNI 7435.

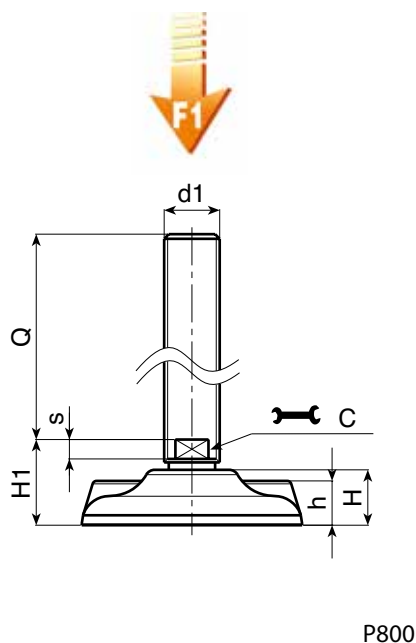
Zinc plated steel turned threaded stud, with end groove for circlip lodging.

## Anchoring to the Floor:

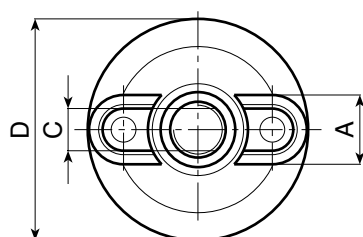
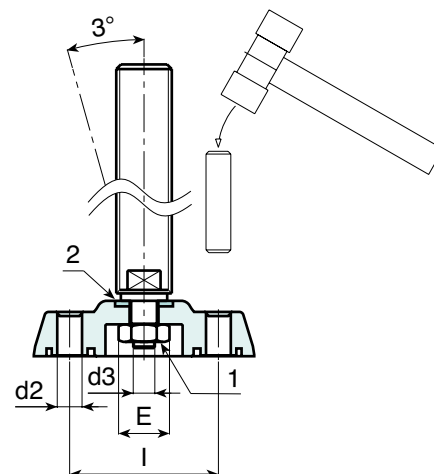
The holes in the foot for anchoring the mount to the floor, are supplied closed. To open them simply break the plastic membrane (see drawing).

## SPECIAL REQUESTS:

- It is possible to supply the inserts with different lengths, on request and for quantities.
- Upon request and for special quantities the foot can be supplied in Orange (RAL 2004).



P800



P801

Presumable presence in the stock in %

(🏠) 90% (☺) 40% (☹) 5% (☹)

BOTECO® - © All right reserved - [www.boteco.it](http://www.boteco.it)

Any unauthorized reproduction is strictly forbidden



BOTECO

# SOLID MOUNTING FOOT

# P814



**Material:**

Reinforced polyamide.  
Oils and greases resistant.

**Surface:**

Satin.

**Colour:**

Black (RAL 9011).

**Insert:** Zinc plated steel articulated, threaded stud.

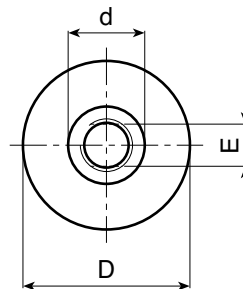
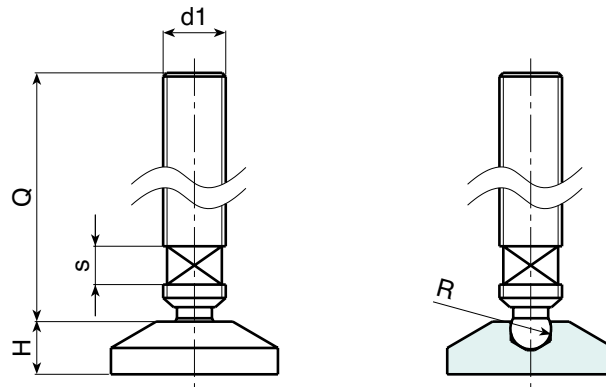
**SPECIAL REQUESTS:**

- It is possible to supply the inserts with different lengths, on request and for quantities.
- Upon request and for special quantities the foot can be supplied in Orange (RAL 2004).

**NOTE:** The base of mounting foot P814 can be used in combination with other all-purpose handgrips.



Art. P814 + G730/G732



Art.	D	H	d	E	s	R	d1	Q	g	F1 (N)
☺ P81432.TM10X..01	32	10	15,5	6	6	8	M10	50-90	32-53	4000
☺ P81432.TM12X..01	32	10	15,5	6	6	8	M12	50-90	50-90	4000

Enter the stud length in the two . . of the code number. It's possible to have different lengths, by customers requests. Minimum 100 pieces.



# P820 - P821

# SMALL SOLID MOUNTING FEET



**Material:** Reinforced polyamide. Oils and greases resistant.

**Surface:** Satin.

**Colour:** Black (RAL 9011).

**Insert:** Zinc plated steel articulated, threaded stud.

**Non-Slip Base:**

**Version P821:** PP-based thermoplastic rubber 60 shore black only (RAL 9011).

### SPECIAL REQUESTS:

- It is possible to supply the inserts with different lengths, on request and for quantities.
- It is possible to supply the inserts in different materials, on request and for quantities.
- Upon request and for special quantities the foot can be supplied in Orange (RAL 2004).

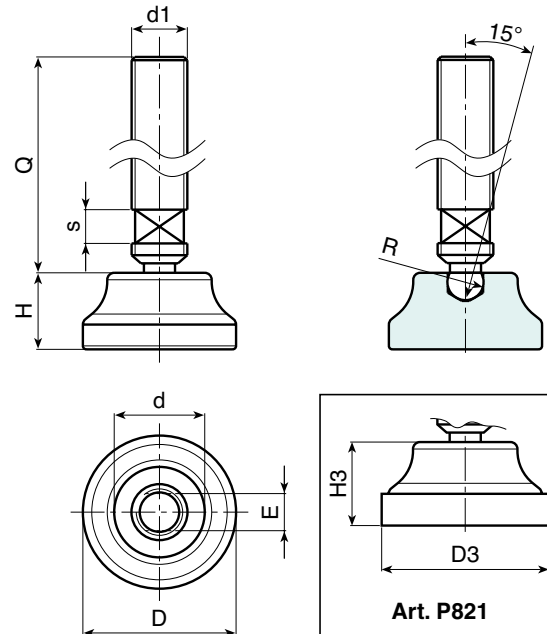
**NOTE:** The base of mounting foot P820 can be used in combination with other all-purpose handgrips.



Art. P820 + G730



Art. P821



Art. P821

Art.	D3	H3	d	E	s	R	d1	Q	g	F1 (N)
P82019.TM08X..01	19	10	13	6	6	6,1	M08	50-90	20-32	4000
P82022.TM08X..01	22	11	15	6	6	6,1	M08	50-90	21-33	4000
P82022.TM10X..01	22	11	15	8	6	7,8	M10	50-90	31-50	4000
P82026.TM08X..01	26	12,5	18	6	6	6,1	M08	50-90	24-36	4000
P82026.TM10X..01	26	12,5	18	8	6	7,8	M10	50-90	34-53	4000
P82026.TM12X..01	26	12,5	18	10	6	9,4	M12	50-90	46-73	4000

Enter the stud length in the two . . of the code number. It's possible to have different lengths, by customers requests. Minimum 100 pieces.

### P821 Version - Version with non-slip PP base

Art.	D3	H3	d	E	s	R	d1	Q	g	F1 (N)
P82119.TM08X..01	19	10	13	6	6	6,1	M08	50-90	21-33	4000
P82122.TM08X..01	22	11	15	6	6	6,1	M08	50-90	22-34	4000
P82122.TM10X..01	22	11	15	8	6	7,8	M10	50-90	32-51	4000
P82126.TM08X..01	26	12,5	18	6	6	6,1	M08	50-90	26-38	4000
P82126.TM10X..01	26	12,5	18	8	6	7,8	M10	50-90	36-55	4000
P82126.TM12X..01	26	12,5	18	10	6	9,4	M12	50-90	48-75	4000

Enter the stud length in the two . . of the code number. It's possible to have different lengths, by customers requests. Minimum 100 pieces.

## P - MOUNTING FEET

ver. PUK.16-0613



BOTECA

P - 6

Presumable presence in the stock in %

(☺) 90% (😊) 40% (☹) 5% (😞)

www.boteco.it - © All right reserved - BOTECA®

Any unauthorized reproduction is strictly forbidden

# P900

P905 - P906 - P907  
P900CIN - P905CIN

## MOUNTING FOOT WITH STEEL AND STAINLESS STEEL STUD

### P900 Version - Mounting foot with stud type A - R12,5

	Art.	D	H	H1	E	s	R	d1	Q	g	F1 (N)
😊	P90040.TM08X..01	40	17	23	⊙ 13	5	12,4	M08	45-70	40-47	10.000
😊	P90040.TM10X..01	40	17	23	⊙ 13	5	12,4	M10	45-70-100	48-60-75	10.000
😊	P90040.TM12X..01	40	17	23	⊙ 13	5	12,4	M12	45-70-100	58-75-97	10.000
😊	P90050.TM08X..01	50	18	24	⊙ 13	5	12,4	M08	45-70	46-53	10.000
😊	P90050.TM10X..01	50	18	24	⊙ 13	5	12,4	M10	45-70-100	54-63-77	10.000
😊	P90050.TM12X..01	50	18	24	⊙ 13	5	12,4	M12	45-70-100	64-78-99	10.000
😊	P90060.TM08X..01	60	20	26	⊙ 13	5	12,4	M08	45-70	58-66	10.000
😊	P90060.TM10X..01	60	20	26	⊙ 13	5	12,4	M10	45-70-100	68-80-95	10.000
😊	P90060.TM12X..01	60	20	26	⊙ 13	5	12,4	M12	45-70-100	78-96-117	10.000

Enter the stud length in the two . . of the code number.

### P905 Version - Mounting foot with stud type A - R15

	Art.	D	H	H1	E	s	R	d1	Q	g	F1 (N)
	P90560.TM12X..01	60	20	26	⊙ 16	6,5	15	M12	50-70-90-110	pag.29	13.000
	P90560.TM14X..01	60	20	26	⊙ 16	6,5	15	M14	50-70-90-110-130-150	pag.29	13.000
	P90560.TM16X..01	60	20	26	⊙ 16	6,5	15	M16	50-70-90-110-130-150-170-190	pag.29	13.000

Enter the stud length in the two . . of the code number. It's possible to have different lengths, by customers requests. Minimum 100 pieces.

### P906 Version - Mounting foot with stud type B - R12,5

	Art.	D	H	H1	E	s	R	d1	Q	g	F1 (N)
	P90660.TM16X..01	60	20	26	⊙ 13	7	12,4	M16	50-70-90-110-130-150-170	pag.30	10.000

Enter the stud length in the two . . of the code number. It's possible to have different lengths, by customers requests. Minimum 100 pieces.

### P907 Version - Mounting foot with stud type B - R15

	Art.	D	H	H1	E	s	R	d1	Q	g	F1 (N)
	P90760.TM20X..01	60	20	26	⊙ 16	7	15	M20	50-70-90-110-130-150-170-190-210	pag.30	13.000

Enter the stud length in the two . . of the code number. It's possible to have different lengths, by customers requests. Minimum 100 pieces.

### P900 CIN Version - Mounting foot with stud type A - R12,5 in stainless steel

	Art.	D	H	H1	E	s	R	d1	Q	g	F1 (N)
☹	P90040.TM08X..01CIN	40	17	23	⊙ 13	5	12,4	M08	45-70	40-47	10.000
☹	P90040.TM10X..01CIN	40	17	23	⊙ 13	5	12,4	M10	45-70	48-60	10.000
☹	P90040.TM12X..01CIN	40	17	23	⊙ 13	5	12,4	M12	45-70-100	58-75-99	10.000
☹	P90050.TM08X..01CIN	50	18	24	⊙ 13	5	12,4	M08	45-70	46-53	10.000
☹	P90050.TM10X..01CIN	50	18	24	⊙ 13	5	12,4	M10	45-70	54-63	10.000
☹	P90050.TM12X..01CIN	50	18	24	⊙ 13	5	12,4	M12	45-70-100	64-78-102	10.000
☹	P90060.TM08X..01CIN	60	20	26	⊙ 13	5	12,4	M08	45-70	58-66	10.000
☹	P90060.TM10X..01CIN	60	20	26	⊙ 13	5	12,4	M10	45-70	68-80	10.000
☹	P90060.TM12X..01CIN	60	20	26	⊙ 13	5	12,4	M12	45-70-100	78-96-120	10.000

Enter the stud length in the two . . of the code number. It's possible to have different lengths, by customers requests. Minimum 100 pieces.

### P905 CIN Version - Mounting foot with stud type A - R15 in stainless steel

	Art.	D	H	H1	E	s	R	d1	Q	g	F1 (N)
☹	P90560.TM12X..01CIN	60	20	26	⊙ 17	6,5	15	M12	50-70-90	pag.30	13.000
☹	P90560.TM14X..01CIN	60	20	26	⊙ 17	6,5	15	M14	50-70-90-110-130	pag.30	13.000
☹	P90560.TM16X..01CIN	60	20	26	⊙ 17	6,5	15	M16	50-70-90-110-130-150-170	pag.30	13.000

Enter the stud length in the two . . of the code number. It's possible to have different lengths, by customers requests. Minimum 100 pieces.

# P900



## Material:

Reinforced polyamide.  
Oils and greases resistant.

## Surface:

Satin.

## Colour:

Black (RAL 9011).

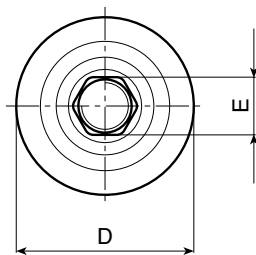
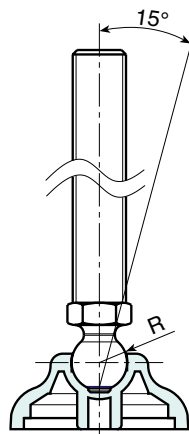
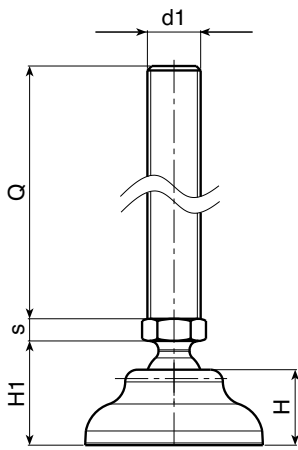
## Inserts:

**Version P900 - P905 - P906 - P907:** Zinc plated steel articulated, threaded stud.

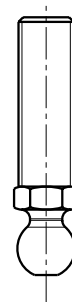
**Version P900 CIN - P905 CIN:** Threaded and articulated stainless steel stud (AISI 303).

## SPECIAL REQUESTS:

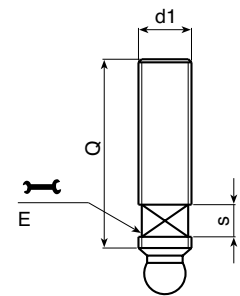
- It is possible to supply the inserts with different lengths, on request and for quantities.
- Upon request and for special quantities the foot can be supplied in Orange (RAL 2004).



Art. P900 CIN



Stud type A



Stud type B

Presumable presence in the stock in %

(☺) 90% (☹) 40% (⊖) 5% (⊕)

BOTECO® - © All right reserved - [www.boteco.it](http://www.boteco.it)  
Any unauthorized reproduction is strictly forbidden



BOTECO

# P901

P908 - P909 - P910  
P901CIN - P908CIN

# MOUNTING FOOT WITH STEEL AND STAINLESS STEEL STUD AND NON-SLIP TPV BASE

## P901 Version - Mounting foot with stud type A - R12,5 and non-slip TPV base

	Art.	D	D2	H	H1	H3	E	s	R	d1	Q	g	F1 (N)
😊	P90140.TM08X..01	40	34	17	23	26	⊙ 13	5	12,5	M08	45-70	44-51	10.000
😊	P90140.TM10X..01	40	34	17	23	26	⊙ 13	5	12,5	M10	45-70-100	52-64-79	10.000
😊	P90140.TM12X..01	40	34	17	23	26	⊙ 13	5	12,5	M12	45-70-100	62-79-101	10.000
😊	P90150.TM08X..01	50	43	18	24	27	⊙ 13	5	12,5	M08	45-70	66-74	10.000
😊	P90150.TM10X..01	50	43	18	24	27	⊙ 13	5	12,5	M10	45-70-100	76-88-103	10.000
😊	P90150.TM12X..01	50	43	18	24	27	⊙ 13	5	12,5	M12	45-70-100	86-104-125	10.000
😊	P90160.TM08X..01	60	53	20	26	29	⊙ 13	5	12,5	M08	45-70	52-59	10.000
😊	P90160.TM10X..01	60	53	20	26	29	⊙ 13	5	12,5	M10	45-70-100	60-69-83	10.000
😊	P90160.TM12X..01	60	53	20	26	29	⊙ 13	5	12,5	M12	45-70-100	70-84-105	10.000

Enter the stud length in the two . . of the code number.

## P908 Version - Mounting foot with stud type A - R15 and non-slip TPV base

	Art.	D	D2	H	H1	H3	E	s	R	d1	Q	g	F1 (N)
	P90860.TM12X..01	60	53	20	26	29	⊙ 16	6,5	15	M12	50-70-90-110	pag.30	13.000
	P90860.TM14X..01	60	53	20	26	29	⊙ 16	6,5	15	M14	50-70-90-110-130-150	pag.29	13.000
	P90860.TM16X..01	60	53	20	26	29	⊙ 16	6,5	15	M16	50-70-90-110-130-150-170-190	pag.29	13.000

Enter the stud length in the two . . of the code number. It's possible to have different lengths, by customers requests. Minimum 100 pieces.

## P909 Version - Mounting foot with stud type B - R12,5 and non-slip TPV base

	Art.	D	D2	H	H1	H3	E	s	R	d1	Q	g	F1 (N)
	P90960.TM16X..01	60	53	20	26	29	⊙ 13	7	12,5	M16	50-70-90-110-130-150-170	pag.30	13.000

Enter the stud length in the two . . of the code number. It's possible to have different lengths, by customers requests. Minimum 100 pieces.

## P910 Version - Mounting foot with stud type B - R15 and non-slip TPV base

	Art.	D	D2	H	H1	H3	E	s	R	d1	Q	g	F1 (N)
☹	P91060.TM20X..01	60	53	20	26	29	⊙ 16	7	15	M20	50-70-90-110-130-150-170-190-210	pag.30	13.000

Enter the stud length in the two . . of the code number. It's possible to have different lengths, by customers requests. Minimum 100 pieces.

## P901 CIN Version - Mounting foot with stud type A - R12,5 in stainless steel - with non-slip TPV base

**INOX**

	Art.	D	D2	H	H1	H3	E	s	R	d1	Q	g	F1 (N)
☹	P90140.TM08X..01CIN	40	34	17	23	26	⊙ 13	5	12,5	M08	45-70	40-47	10.000
☹	P90140.TM10X..01CIN	40	34	17	23	26	⊙ 13	5	12,5	M10	45-70	48-60	10.000
☹	P90140.TM12X..01CIN	40	34	17	23	26	⊙ 13	5	12,5	M12	45-70-100	58-75-97	10.000
☹	P90150.TM08X..01CIN	50	43	18	24	27	⊙ 13	5	12,5	M08	45-70	46-53	10.000
☹	P90150.TM10X..01CIN	50	43	18	24	27	⊙ 13	5	12,5	M10	45-70	54-63	10.000
☹	P90150.TM12X..01CIN	50	43	18	24	27	⊙ 13	5	12,5	M12	45-70-100	64-78-99	10.000
☹	P90160.TM08X..01CIN	60	53	20	26	29	⊙ 13	5	12,5	M08	45-70	58-66	10.000
☹	P90160.TM10X..01CIN	60	53	20	26	29	⊙ 13	5	12,5	M10	45-70	68-80	10.000
☹	P90160.TM12X..01CIN	60	53	20	26	29	⊙ 13	5	12,5	M12	45-70-100	78-96-117	10.000

Enter the stud length in the two . . of the code number. It's possible to have different lengths, by customers requests. Minimum 100 pieces.

## P908 CIN Version - Mounting foot with stud type A - R15 in stainless steel - with non-slip TPV base

**INOX**

	Art.	D	D2	H	H1	H3	E	s	R	d1	Q	g	F1 (N)
☹	P90860.TM12X..01CIN	60	53	20	26	29	⊙ 17	6,5	15	M12	50-70-90	pag.30	13.000
☹	P90860.TM14X..01CIN	60	53	20	26	29	⊙ 17	6,5	15	M14	50-70-90-110-130	pag.30	13.000
☹	P90860.TM16X..01CIN	60	53	20	26	29	⊙ 17	6,5	15	M16	50-70-90-110-130-150-170	pag.30	13.000

Enter the stud length in the two . . of the code number. It's possible to have different lengths, by customers requests. Minimum 100 pieces.

# P901

**Material:**

Reinforced polyamide.  
Oils and greases resistant.

**Surface:**

Satin.

**Colour:**

Black (RAL 9011).

**Inserts:**

**Version P901 - P908 - P909 - P910:** Zinc plated steel articulated, threaded stud.

**Version P901 CIN - P908 CIN:** Threaded and articulated stainless steel stud (AISI 303).

**Non-Slip Base:**

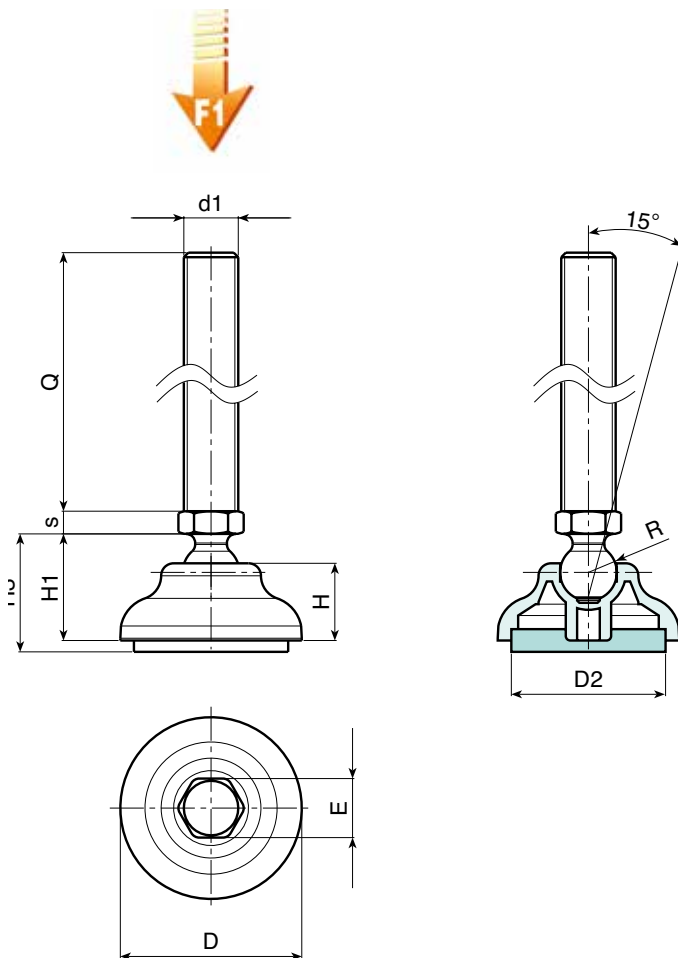
Thermoplastic vulcanized rubber TPV 75 Shore (only black RAL 9011).

**SPECIAL REQUESTS:**

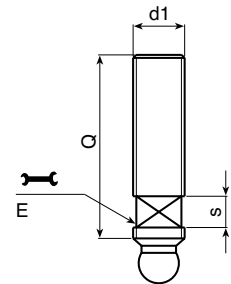
- It is possible to supply the inserts with different lengths, on request and for quantities.
- Upon request and for special quantities the foot can be supplied in Orange (RAL 2004).



Art. P900 CIN



Stud type A



Stud type B

Presumable presence in the stock in %

(☺) 90% (☹) 40% (⊖) 5% (⊕)

BOTECO® - © All right reserved - [www.boteco.it](http://www.boteco.it)

Any unauthorized reproduction is strictly forbidden



BOTECO

# P902

P911 - P912 - P913  
P914

## FLOOR-ANCHOR MOUNTING FOOT

### P911 Version - Mounting foot with ground fixing with stud type A - R12,5

Art.	D	H	I	H1	h	A	E	s	d2	R	d1	Q	g	F1 (N)
P911080.TM10X..01	80	20	54	25,5	16	20	13	5	9	12,5	M10	45-70-100	74-86-123	10.000
P911080.TM12X..01	80	20	54	25,5	16	20	13	5	9	12,5	M12	45-70-100	84-101-145	10.000

Enter the stud length in the two . . of the code number. It's possible to have different lengths, by customers requests. Minimum 100 pieces.

### P902 Version - Mounting foot with ground fixing with stud type A - R15

Art.	D	H	I	H1	h	A	E	s	d2	R	d1	Q	g	F1 (N)
P902080.TM12X..01	80	20	54	25,5	16	20	16	6,5	9	15	M12	50-70-90-110	pag.29	13.000
P902080.TM14X..01	80	20	54	25,5	16	20	16	6,5	9	15	M14	50-70-90-110-130-150	pag.29	13.000
P902080.TM16X..01	80	20	54	25,5	16	20	16	6,5	9	15	M16	50-70-90-110-130-150-170-190	pag.29	13.000
P902105.TM12X..01	105	22	74	28	18,5	21	16	6,5	11	15	M12	50-70-90-110	pag.29	15.000
P902105.TM14X..01	105	22	74	28	18,5	21	16	6,5	11	15	M14	50-70-90-110-130-150	pag.29	15.000
P902105.TM16X..01	105	22	74	28	18,5	21	16	6,5	11	15	M16	50-70-90-110-130-150-170-190	pag.29	15.000
P902130.TM12X..01	130	24	99	30	20	21	16	6,5	13	15	M12	50-70-90-110	pag.29	17.000
P902130.TM14X..01	130	24	99	30	20	21	16	6,5	13	15	M14	50-70-90-110-130-150	pag.29	17.000
P902130.TM16X..01	130	24	99	30	20	21	16	6,5	13	15	M16	50-70-90-110-130-150-170-190	pag.29	17.000

Enter the stud length in the two . . of the code number. It's possible to have different lengths, by customers requests. Minimum 100 pieces.

### P912 Version - Mounting foot with ground fixing with stud type B - R12,5

Art.	D	H	I	H1	h	A	E	s	d2	R	d1	Q	g	F1 (N)
P912080.TM16X..01	80	20	54	25,5	16	20	13	7	9	12,5	M16	50-70-90-110-130-150-170	pag.30	10.000

Enter the stud length in the two . . of the code number. It's possible to have different lengths, by customers requests. Minimum 100 pieces.

### P913 Version - Mounting foot with ground fixing with stud type B - R15

Art.	D	H	I	H1	h	A	E	s	d2	R	d1	Q	g	F1 (N)
P913080.TM20X..01	80	20	54	25,5	16	20	16	7	9	15	M20	50-70-90-110-130-150-170-190-210	pag.30	17.000
P913105.TM20X..01	105	22	74	28	18,5	21	16	7	11	15	M20	50-70-90-110-130-150-170-190-210	pag.30	17.000
P913130.TM20X..01	130	24	99	30	20	21	16	7	13	15	M20	50-70-90-110-130-150-170-190-210	pag.30	17.000
P913080.TM24X..01	80	20	54	25,5	16	20	19	7	9	15	M24	70-90-110-130-150-170-190-210	pag.30	17.000
P913105.TM24X..01	105	22	74	28	18,5	21	19	7	11	15	M24	70-90-110-130-150-170-190-210	pag.30	17.000
P913130.TM24X..01	130	24	99	30	20	21	19	7	13	15	M24	70-90-110-130-150-170-190-210	pag.30	17.000

Enter the stud length in the two . . of the code number. It's possible to have different lengths, by customers requests. Minimum 100 pieces.

### P914 Version - Mounting foot with ground fixing with stud type B - R24

Art.	D	H	I	H1	h	A	E	s	d2	R	d1	Q	g	F1 (N)
P914080.TM24X..01	80	20	54	25,5	16	20	19	10	9	24	M24	70-90-110-130-150-170	pag.30	25.000
P914080.TM30X..01	80	20	54	25,5	16	20	27	12	9	24	M30	90-110-130-150-170-190-210	pag.30	25.000
P914105.TM24X..01	105	22	74	28	18,5	21	19	10	11	24	M24	70-90-110-130-150-170	pag.30	25.000
P914105.TM30X..01	105	22	74	28	18,5	21	27	12	11	24	M30	90-110-130-150-170-190-210	pag.30	25.000
P914130.TM24X..01	130	24	99	30	20	21	19	10	13	24	M24	70-90-110-130-150-170	pag.30	25.000
P914130.TM30X..01	130	24	99	30	20	21	27	12	13	24	M30	90-110-130-150-170-190-210	pag.30	25.000

Enter the stud length in the two . . of the code number. It's possible to have different lengths, by customers requests. Minimum 100 pieces.

**Material:**

Reinforced polyamide.  
Oils and greases resistant.

**Surface:**

Satin.

**Colour:**

Black (RAL 9011).

**Insert:**

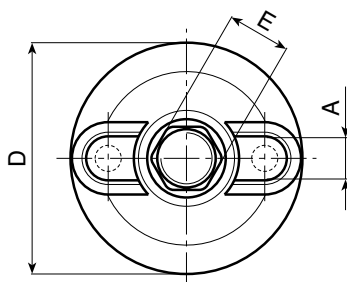
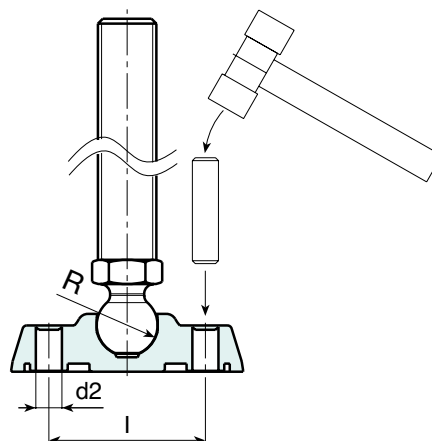
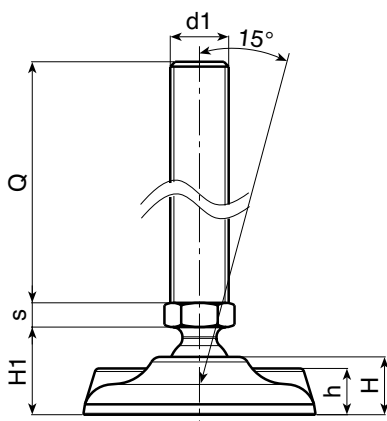
Zinc plated steel articulated, threaded stud.

**Anchoring to the Floor:**

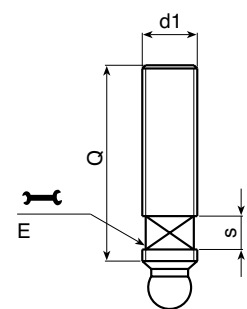
The holes in the foot used for anchoring the mount to the floor, are supplied closed. To open them simply break the plastic membrane (see drawing).

**SPECIAL REQUESTS:**

- It is possible to supply the inserts with different lengths, on request and for quantities.
- Upon request and for special quantities the foot can be supplied in Orange (RAL 2004).



Stud type A



Stud type B

Presumable presence in the stock in %

(☺) 90% (☹) 40% (⊖) 5% (⊕)

BOTECO® - © All right reserved - [www.boteco.it](http://www.boteco.it)

Any unauthorized reproduction is strictly forbidden



**BOTECO**

# P902CIN

P911CIN - P912CIN  
P913CIN P914CIN

## MOUNTING FOOT WITH GROUND FIXING AND STAINLESS STEEL STUD



### P911 CIN Version - Mounting foot with ground fixing with stud type A - R12,5 in stainless steel

Art.	D	H	I	H1	h	A	E	s	d2	R	d1	Q	g	F1 (N)
⊕ P911080.TM10X..01CIN	80	20	54	25,5	16	20	○13	5	9	12,5	M10	45-70	74-86	10.000
⊕ P911080.TM12X..01CIN	80	20	54	25,5	16	20	○13	5	9	12,5	M12	45-70-100	84-101-145	10.000

Enter the stud length in the two . . of the code number. It's possible to have different lengths, by customers requests. Minimum 100 pieces.

### P902 CIN Version - Mounting foot with ground fixing with stud type A - R15 in stainless steel

Art.	D	H	I	H1	h	A	E	s	d2	R	d1	Q	g	F1 (N)
P902080.TM12X..01CIN	80	20	54	25,5	16	20	○17	6,5	9	15	M12	50-70-90	pag.29	13.000
P902080.TM14X..01CIN	80	20	54	25,5	16	20	○17	6,5	9	15	M14	50-70-90-110-130	pag.29	13.000
P902080.TM16X..01CIN	80	20	54	25,5	16	20	○17	6,5	9	15	M16	50-70-90-110-130-150-170	pag.29	13.000
P902105.TM12X..01CIN	105	22	74	28	18,5	21	○17	6,5	11	15	M12	50-70-90	pag.29	15.000
P902105.TM14X..01CIN	105	22	74	28	18,5	21	○17	6,5	11	15	M14	50-70-90-110-130	pag.29	15.000
P902105.TM16X..01CIN	105	22	74	28	18,5	21	○17	6,5	11	15	M16	50-70-90-110-130-150-170	pag.29	15.000
P902130.TM12X..01CIN	130	24	99	30	20	21	○17	6,5	13	15	M12	50-70-90	pag.29	17.000
P902130.TM14X..01CIN	130	24	99	30	20	21	○17	6,5	13	15	M14	50-70-90-110-130	pag.29	17.000
P902130.TM16X..01CIN	130	24	99	30	20	21	○17	6,5	13	15	M16	50-70-90-110-130-150-170	pag.29	17.000

Enter the stud length in the two . . of the code number. It's possible to have different lengths, by customers requests. Minimum 100 pieces.

### P912 CIN Version - Mounting foot with ground fixing with stud type B - R12,5 in stainless steel

Art.	D	H	I	H1	h	A	E	s	d2	R	d1	Q	g	F1 (N)
⊕ P912080.TM16X..01CIN	80	20	54	25,5	16	20	⌋	7	9	12,5	M16	50-70-90-110-130-150-170	pag.30	10.000

Enter the stud length in the two . . of the code number. It's possible to have different lengths, by customers requests. Minimum 100 pieces.

### P913 CIN Version - Mounting foot with ground fixing with stud type B - R15 in stainless steel

Art.	D	H	I	H1	h	A	E	s	d2	R	d1	Q	g	F1 (N)
P913080.TM20X..01CIN	80	20	54	25,5	16	20	⌋	7	9	15	M20	50-70-90-110-130-150-170-190-210	pag.30	17.000
P913105.TM20X..01CIN	105	22	74	28	18,5	21	⌋	7	11	15	M20	50-70-90-110-130-150-170-190-210	pag.30	17.000
P913130.TM20X..01CIN	130	24	99	30	20	21	⌋	7	13	15	M20	50-70-90-110-130-150-170-190-210	pag.30	17.000
P913080.TM24X..01CIN	80	20	54	25,5	16	20	⌋	7	9	15	M24	70-90-110-130-150-170-190-210	pag.30	17.000
P913105.TM24X..01CIN	105	22	74	28	18,5	21	⌋	7	11	15	M24	70-90-110-130-150-170-190-210	pag.30	17.000
P913130.TM24X..01CIN	130	24	99	30	20	21	⌋	7	13	15	M24	70-90-110-130-150-170-190-210	pag.30	17.000

Enter the stud length in the two . . of the code number. It's possible to have different lengths, by customers requests. Minimum 100 pieces.

### P914 CIN Version - Mounting foot with ground fixing with stud type B - R24 in stainless steel

Art.	D	H	I	H1	h	A	E	s	d2	R	d1	Q	g	F1 (N)	
⊕ P914080.TM24X..01CIN	80	20	54	25,5	16	20	⌋	19	10	9	24	M24	70-90-110-130-150	pag.30	25.000
⊕ P914080.TM30X..01CIN	80	20	54	25,5	16	20	⌋	12	9	24	M30	90-110-130-150-170-190-210	pag.30	25.000	
⊕ P914105.TM24X..01CIN	105	22	74	28	18,5	21	⌋	19	10	11	24	M24	70-90-110-130-150	pag.30	25.000
⊕ P914105.TM30X..01CIN	105	22	74	28	18,5	21	⌋	12	11	24	M30	90-110-130-150-170-190-210	pag.30	25.000	
⊕ P914130.TM24X..01CIN	130	24	99	30	20	21	⌋	19	13	24	M24	70-90-110-130-150	pag.30	25.000	
⊕ P914130.TM30X..01CIN	130	24	99	30	20	21	⌋	12	13	24	M30	90-110-130-150-170-190-210	pag.30	25.000	

Enter the stud length in the two . . of the code number. It's possible to have different lengths, by customers requests. Minimum 100 pieces.

## P - MOUNTING FEET

ver. PUK.16-0613



BOTECA

P - 14

Presumable presence in the stock in %

(⊕) 90% (⊙) 40% (⊖) 5% (⊗)

www.boteco.it - © All right reserved - BOTECA®  
Any unauthorized reproduction is strictly forbidden



**Material:**  
Reinforced polyamide.  
Oils and greases resistant.

**Surface:**  
Satin.

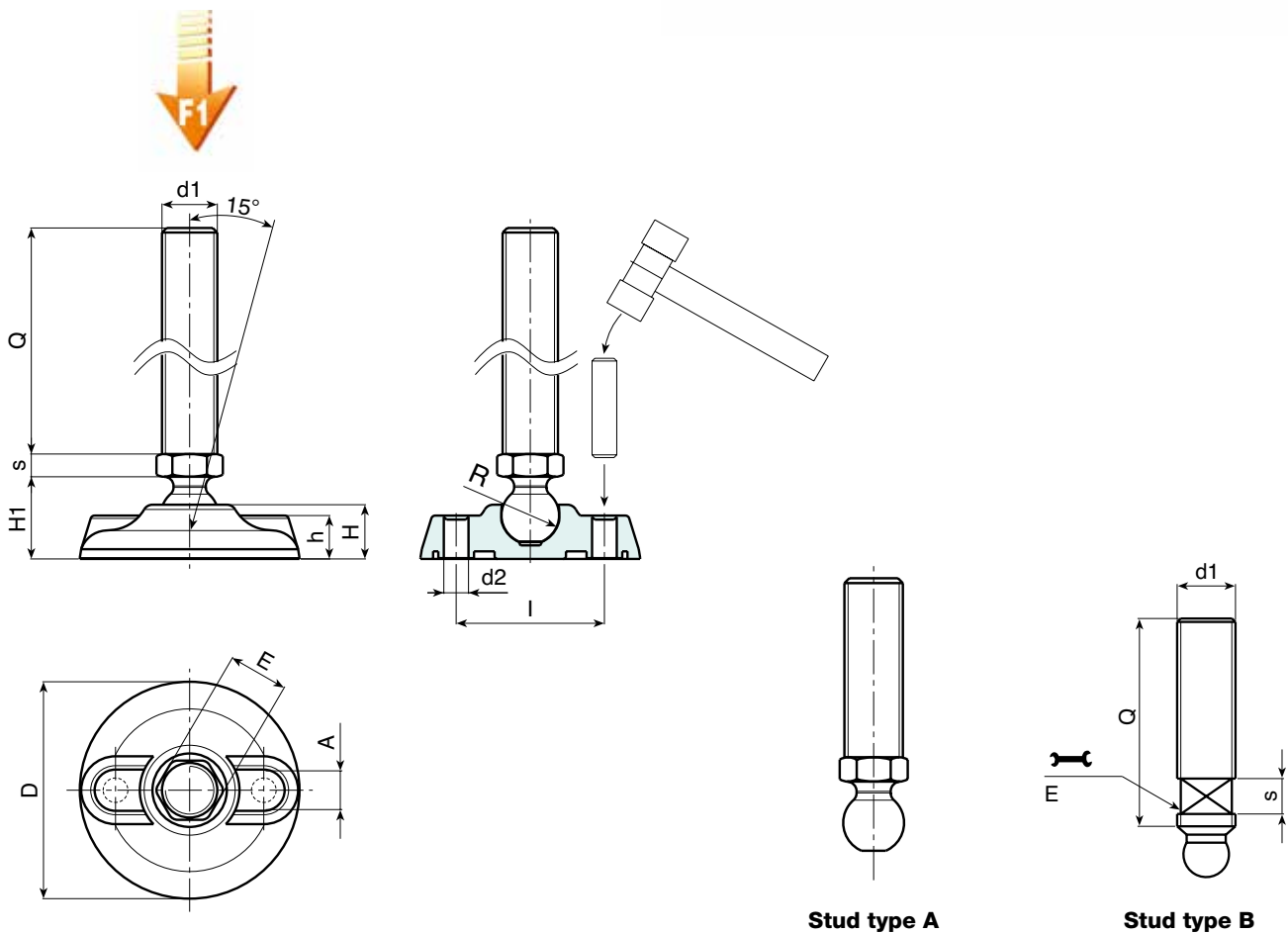
**Colour:**  
Black (RAL 9011).

**Insert:**  
Threaded and articulated stainless steel stud (AISI 303).

**Anchoring to the Floor:**  
The holes in the foot used for anchoring the mount to the floor, are supplied closed. To open them simply break the plastic membrane (see drawing).

**SPECIAL REQUESTS:**

- It is possible to supply the inserts with different lengths, on request and for quantities.
- Upon request and for special quantities the foot can be supplied in Orange (RAL 2004).



# P903

P915 - P916  
P917 - P918

## FLOOR-ANCHOR MOUNTING FOOT WITH NON-SLIP TPV BASE

### P915 Version - Mounting foot with ground fixing with stud type A - R12,5 - and non-slip TPV base

Art.	D	H	I	H1	H3	h	A	E	s	d2	d	R	d1	Q	g	F1 (N)
P915080.TM10X..01	80	20	54	25,5	28,5	16	20	13	5	9	70	12,5	M10	45-70-100	97-109-146	10.000
P915080.TM12X..01	80	20	54	25,5	28,5	16	20	13	5	9	70	12,5	M12	45-70-100	107-124-168	10.000

Enter the stud length in the two . . of the code number.

### P903 Version - Mounting foot with ground fixing with stud type A - R15 - and non-slip TPV base

Art.	D	H	I	H1	H3	h	A	E	s	d2	d	R	d1	Q	g	F1 (N)
P903080.TM12X..01	80	20	54	25,5	28,5	16	20	16	6,5	9	70	15	M12	50-70-90-110	pag.29	13.000
P903080.TM14X..01	80	20	54	25,5	28,5	16	20	16	6,5	9	70	15	M14	50-70-90-110-130-150	pag.29	13.000
P903080.TM16X..01	80	20	54	25,5	28,5	16	20	16	6,5	9	70	15	M16	50-70-90-110-130-150-170-190	pag.29	13.000
P903105.TM12X..01	105	22	74	28	32	18,5	21	16	6,5	11	94	15	M12	50-70-90-110	pag.29	15.000
P903105.TM14X..01	105	22	74	28	32	18,5	21	16	6,5	11	94	15	M14	50-70-90-110-130-150	pag.29	15.000
P903105.TM16X..01	105	22	74	28	32	18,5	21	16	6,5	11	94	15	M16	50-70-90-110-130-150-170-190	pag.29	15.000
P903130.TM12X..01	130	24	99	30	35	20	21	16	6,5	13	118	15	M12	50-70-90-110	pag.29	17.000
P903130.TM14X..01	130	24	99	30	35	20	21	16	6,5	13	118	15	M14	50-70-90-110-130-150	pag.29	17.000
P903130.TM16X..01	130	24	99	30	35	20	21	16	6,5	13	118	15	M16	50-70-90-110-130-150-170-190	pag.29	17.000

Enter the stud length in the two . . of the code number. It's possible to have different lengths, by customers requests. Minimum 100 pieces.

### P916 Version - Mounting foot with ground fixing with stud type B - R12,5 - and non-slip TPV base

Art.	D	H	I	H1	H3	h	A	E	s	d2	d	R	d1	Q	g	F1 (N)
P916080.TM16X..01	80	20	54	25,5	28,5	16	20	13	7	9	70	12,5	M16	50-70-90-110-130-150-170	pag.30	10.000

Enter the stud length in the two . . of the code number. It's possible to have different lengths, by customers requests. Minimum 100 pieces.

### P917 Version - Mounting foot with ground fixing with stud type B - R15 - and non-slip TPV base

Art.	D	H	I	H1	H3	h	A	E	s	d2	d	R	d1	Q	g	F1 (N)
P917080.TM20X..01	80	20	54	25,5	28,5	16	20	16	7	9	70	15	M20	50-70-90-110-130-150-170-190-210	*	17.000
P917105.TM20X..01	105	22	74	28	32	18,5	21	16	7	11	94	15	M20	50-70-90-110-130-150-170-190-210	*	17.000
P917130.TM20X..01	130	24	99	30	35	20	21	16	7	13	118	15	M20	50-70-90-110-130-150-170-190-210	*	17.000
P917080.TM24X..01	80	20	54	25,5	28,5	16	20	19	7	9	70	15	M24	50-70-90-110-130-150-170-190-210	*	17.000
P917105.TM24X..01	105	22	74	28	32	18,5	21	19	7	11	94	15	M24	50-70-90-110-130-150-170-190-210	*	17.000
P917130.TM24X..01	130	24	99	30	35	20	21	19	7	13	118	15	M24	50-70-90-110-130-150-170-190-210	*	17.000

Enter the stud length in the two . . of the code number. It's possible to have different lengths, by customers requests. Minimum 100 pieces.

### P918 Version - Mounting foot with ground fixing with stud type B - R24 - and non-slip TPV base

Art.	D	H	I	H1	H3	h	A	E	s	d2	d	R	d1	Q	g	F1 (N)
P918080.TM24X..01	80	20	54	25,5	28,5	16	20	19	10	9	70	24	M24	70-90-110-130-150-170	pag.30	25.000
P918080.TM30X..01	80	20	54	25,5	28,5	16	20	27	12	9	70	24	M30	90-110-130-150-170-190-210	pag.30	25.000
P918105.TM24X..01	105	22	74	28	32	18,5	21	19	10	11	94	24	M24	70-90-110-130-150-170	pag.30	25.000
P918105.TM30X..01	105	22	74	28	32	18,5	21	27	12	11	94	24	M30	90-110-130-150-170-190-210	pag.30	25.000
P918130.TM24X..01	130	24	99	30	35	20	21	19	10	13	118	24	M24	70-90-110-130-150-170	pag.30	25.000
P918130.TM30X..01	130	24	99	30	35	20	21	27	12	13	118	24	M30	90-110-130-150-170-190-210	pag.30	25.000

Enter the stud length in the two . . of the code number. It's possible to have different lengths, by customers requests. Minimum 100 pieces.

P - MOUNTING FEET

ver. PUK.16-0613



BOTECA

P - 16

Presumable presence in the stock in %

(☹) 90% (😊) 40% (😐) 5% (☹)

www.boteco.it - © All right reserved - BOTECA®

Any unauthorized reproduction is strictly forbidden

**Material:**

Reinforced polyamide.  
Oils and greases resistant.

**Surface:**

Satin.

**Colour:**

Black (RAL 9011).

**Insert:**

Zinc plated steel articulated, threaded stud.

**Anchoring to the Floor:**

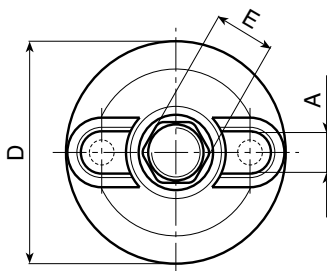
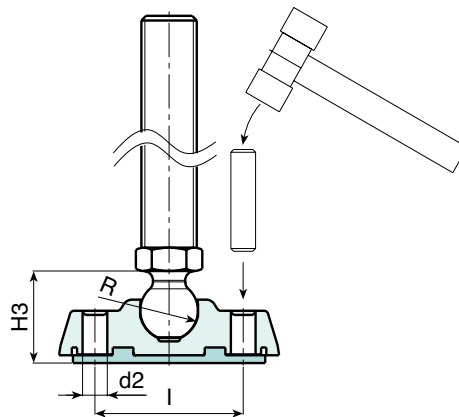
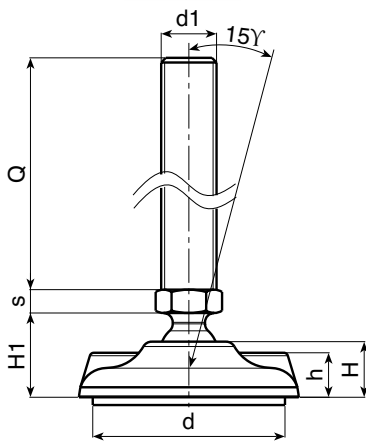
The holes in the foot used for anchoring the mount to the floor, are supplied closed. To open them simply break the plastic membrane (see drawing).

**Non-Slip Base:**

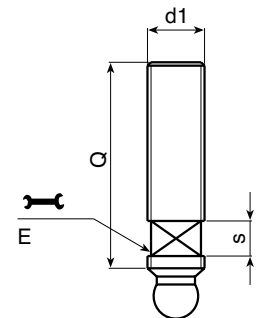
Thermoplastic vulcanized rubber TPV 75 Shore (only black RAL 9011).

**SPECIAL REQUESTS:**

- It is possible to supply the inserts with different lengths, on request and for quantities.
- Upon request and for special quantities the foot can be supplied in Orange (RAL 2004).



Stud type A



Stud type B

Presumable presence in the stock in %

(☺) 90% (☹) 40% (⊖) 5% (⊕)

BOTECO® - © All right reserved - [www.boteco.it](http://www.boteco.it)  
Any unauthorized reproduction is strictly forbidden



**BOTECO**

# P903CIN

P915CIN - P916CIN  
P917CIN - P918CIN

## MOUNTING FOOT WITH GROUND FIXING AND NON-SLIP NBR BASE

INOX

**P915 CIN Version - Mounting foot with ground fixing with stud type A - R12,5 in stainless steel - with non-slip TPV base**

Art.	D	H	I	H1	H3	h	A	E	s	d2	d	R	d1	Q	g	F1 (N)
⊕ P915080.TM10X..01CIN	80	20	54	25,5	28,5	16	20	13	5	9	70	12,5	M10	45-70	97-109	10.000
⊕ P915080.TM12X..01CIN	80	20	54	25,5	28,5	16	20	13	5	9	70	12,5	M12	45-70-100	107-124-168	10.000

Enter the stud length in the two . . of the code number. It's possible to have different lengths, by customers requests. Minimum 100 pieces.

**P903 CIN Version - Mounting foot with ground fixing with stud type A - R15 in stainless steel - with non-slip TPV base**

Art.	D	H	I	H1	H3	h	A	E	s	d2	d	R	d1	Q	g	F1 (N)
P903080.TM12X..01CIN	80	20	54	25,5	28,5	16	20	⊙17	6,5	9	70	15	M12	50-70-90	pag.30	13.000
P903080.TM14X..01CIN	80	20	54	25,5	28,5	16	20	⊙17	6,5	9	70	15	M14	50-70-90-110-130	pag.30	13.000
P903080.TM16X..01CIN	80	20	54	25,5	28,5	16	20	⊙17	6,5	9	70	15	M16	50-70-90-110-130-150-170	pag.30	13.000
P903105.TM12X..01CIN	105	22	74	28	32	18,5	21	⊙17	6,5	11	94	15	M12	50-70-90	pag.30	15.000
P903105.TM14X..01CIN	105	22	74	28	32	18,5	21	⊙17	6,5	11	94	15	M14	50-70-90-110-130	pag.30	15.000
P903105.TM16X..01CIN	105	22	74	28	32	18,5	21	⊙17	6,5	11	94	15	M16	50-70-90-110-130-150-170	pag.30	15.000
P903130.TM12X..01CIN	130	24	99	30	35	20	21	⊙17	6,5	13	118	15	M12	50-70-90	pag.30	17.000
P903130.TM14X..01CIN	130	24	99	30	35	20	21	⊙17	6,5	13	118	15	M14	50-70-90-110-130	pag.30	17.000
P903130.TM16X..01CIN	130	24	99	30	35	20	21	⊙17	6,5	13	118	15	M16	50-70-90-110-130-150-170	pag.30	17.000

Enter the stud length in the two . . of the code number. It's possible to have different lengths, by customers requests. Minimum 100 pieces.

**P916 CIN Version - Mounting foot with ground fixing with stud type B - R12,5 in stainless steel - with non-slip TPV base**

Art.	D	H	I	H1	H3	h	A	E	s	d2	d	R	d1	Q	g	F1 (N)
⊕ P916080.TM16X..01CIN	80	20	54	25,5	28,5	16	20	13	7	9	70	12,5	M16	50-70-90-110-130-150-170	*	10.000

Enter the stud length in the two . . of the code number. It's possible to have different lengths, by customers requests. Minimum 100 pieces.

\* = See table pag. 30

**P917 CIN Version - Mounting foot with ground fixing with stud type B - R15 in stainless steel - with non-slip TPV base**

Art.	D	H	I	H1	H3	h	A	E	s	d2	d	R	d1	Q	g	F1 (N)
⊕ P917080.TM20X..01CIN	80	20	54	25,5	28,5	16	20	16	7	9	70	15	M20	50-70-90-110-130-150-170-190-210	*	17.000
⊕ P917105.TM20X..01CIN	105	22	74	28	32	18,5	21	16	7	11	94	15	M20	50-70-90-110-130-150-170-190-210	*	17.000
⊕ P917130.TM20X..01CIN	130	24	99	30	35	20	21	16	7	13	118	15	M20	50-70-90-110-130-150-170-190-210	*	17.000
⊕ P917080.TM24X..01CIN	80	20	54	25,5	28,5	16	20	19	7	9	70	15	M24	50-70-90-110-130-150-170-190-210	*	17.000
⊕ P917105.TM24X..01CIN	105	22	74	28	32	18,5	21	19	7	11	94	15	M24	50-70-90-110-130-150-170-190-210	*	17.000
⊕ P917130.TM24X..01CIN	130	24	99	30	35	20	21	19	7	13	118	15	M24	50-70-90-110-130-150-170-190-210	*	17.000

Enter the stud length in the two . . of the code number. It's possible to have different lengths, by customers requests. Minimum 100 pieces.

\* = See table pag. 30

**P918 CIN Version - Mounting foot with ground fixing with stud type B - R24 in stainless steel - with non-slip TPV base**

Art.	D	H	I	H1	H3	h	A	E	s	d2	d	R	d1	Q	g	F1 (N)
⊕ P918080.TM24X..01CIN	80	20	54	25,5	28,5	16	20	19	10	9	70	24	M24	70-90-110-130-150	*	25.000
⊕ P918080.TM30X..01CIN	80	20	54	25,5	28,5	16	20	27	12	9	70	24	M30	90-110-130-150-170-190-210	*	25.000
⊕ P918105.TM24X..01CIN	105	22	74	28	32	18,5	21	19	10	11	94	24	M24	70-90-110-130-150	*	25.000
⊕ P918105.TM30X..01CIN	105	22	74	28	32	18,5	21	27	12	11	94	24	M30	90-110-130-150-170-190-210	*	25.000
⊕ P918130.TM24X..01CIN	130	24	99	30	35	20	21	19	10	13	118	24	M24	70-90-110-130-150	*	25.000
⊕ P918130.TM30X..01CIN	130	24	99	30	35	20	21	27	12	13	118	24	M30	90-110-130-150-170-190-210	*	25.000

Enter the stud length in the two . . of the code number. It's possible to have different lengths, by customers requests. Minimum 100 pieces.

\* = See table pag. 30

P - MOUNTING FEET

ver. PUK.16-0613



BOTECA

P - 18

Presumable presence in the stock in %

(☺) 90% (☹) 40% (⊕) 5% (⊖)

www.boteco.it - © All right reserved - BOTECA®  
Any unauthorized reproduction is strictly forbidden

**Material:**

Reinforced polyamide.  
Oils and greases resistant.

**Surface:**

Satin.

**Colour:**

Black (RAL 9011).

**Insert:**

Threaded and articulated stainless steel stud (AISI 303).

**Anchoring to the Floor:**

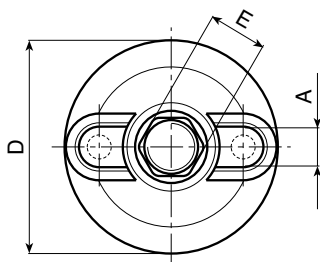
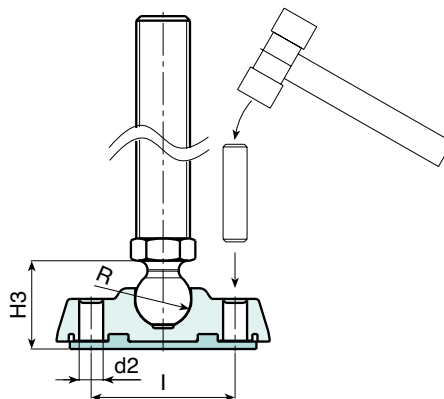
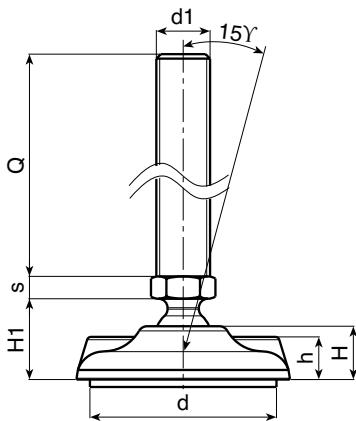
The holes in the foot used for anchoring the mount to the floor, are supplied closed. To open them simply break the plastic membrane (see drawing).

**Non-Slip Base:**

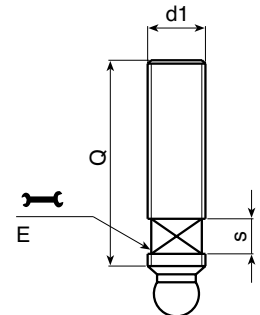
Thermoplastic vulcanized rubber TPV 75 Shore  
(only black RAL 9011).

**SPECIAL REQUESTS:**

- It is possible to supply the inserts with different lengths, on request and for quantities.
- Upon request and for special quantities the foot can be supplied in Orange (RAL 2004).



Stud type A



Stud type B

Presumable presence in the stock in %

(☺) 90% (☹) 40% (⊖) 5% (⊕)

BOTECO® - © All right reserved - [www.boteco.it](http://www.boteco.it)  
Any unauthorized reproduction is strictly forbidden



**BOTECO**

# STAINLESS STEEL TURNED THREADED STUD WITH BALL JOINT AND WITH WRENCH SEAT

PEP.INTM



AISI  
304



INOX

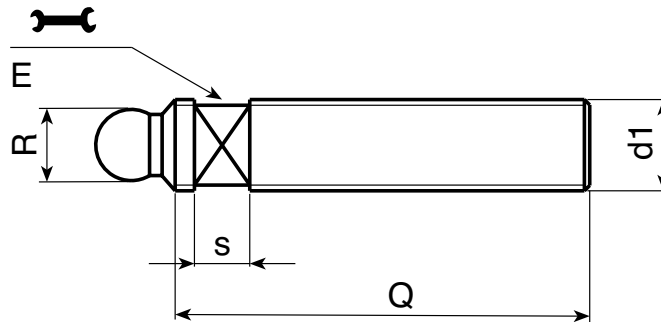
**Material:** Stainless Steel AISI 303 or AISI 304.

**Surface:** Natural.

**Thread:** Thread with 6g tolerance.

**SPECIAL REQUESTS:**

- It is possible to supply the inserts with different lengths or different design, on request and for quantities.



**Version M16 with ball joint R 12,4**

Art.	E	s	R	d1	Q	
PEP.INTM16X..Z3	13	7	12,4	M12	50-70-90-110-130-150-170	72-98-124-150-176-202-228

Enter the stud length choice in the two .. of the article code. Lengths by request with 100 pieces minimum quantity.

These studs are compatible with the following foot bases: • PIE.040S12,4 • PIE.050S12,4 • PIE.060S12,4 • PIE.080S12,4

**Version M20-M24 with ball joint R 15**

Art.	E	s	R	d1	Q	
PEP.INTM20X..Z3	16	7	15	M20	50-70-90-110-130-150-170-190-210	142-174-206-238-270-305-337-370-405
PEP.INTM24X..Z3	19	7	15	M24	70-90-110-130-150-170-190-210	270-330-390-450-510-570-630-690

Enter the stud length choice in the two .. of the article code. Lengths by request with 100 pieces minimum quantity.

These studs are compatible with the following foot bases: • PIE.060S15 • PIE.080S15 • PIE.105S15 • PIE.130S15

**Version M24-M30 with ball joint R 24**

Art.	E	s	R	d1	Q	
PEP.INTM24X..Z5	19	10	24	M24	70-90-110-130-150	270-330-390-450-510
PEP.INTM30X..Z5	27	12	24	M30	90-110-130-150-170-190-210	461-550-637-725-813-900-990

Enter the stud length choice in the two .. of the article code. Lengths by request with 100 pieces minimum quantity.

These studs are compatible with the following foot bases: • PIE.080S24 • PIE.105S24 • PIE.130S24

Presumable presence in the stock in %

(🏠) 90% (😊) 40% (😐) 5% (😞)

BOTECO® - © All right reserved - www.boteco.it  
Any unauthorized reproduction is strictly forbidden



BOTECO

## LONG VERSION TURNED THREADED STUD WITH BALL JOINT AND WITH HEXAGON

### Material:

**PEP.VZE:** Automatic steel.

**PEP.INE:** Stainless Steel AISI 303.

### Surface:

**PEP.VZE:** Blue zinc plated.

**PEP.INE:** Natural.

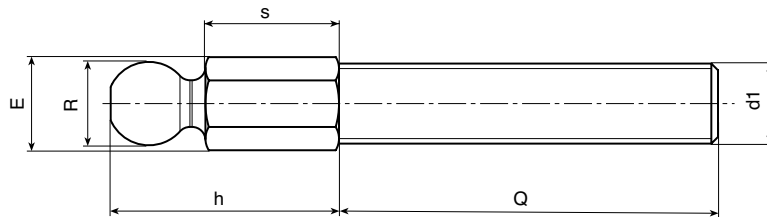
### Thread:

Thread with 6g tolerance.



### SPECIAL REQUESTS:

- It is possible to supply the inserts with different lengths or different design, on request and for quantities.



### Version hexagon 13 with ball joint R 12,4 - Zinc plated steel

Art.	E	s	h	R	d1 6g	Q	Q <>	⚖
PEP.VZE13X20M08X..L	13	20	35	12,4	M08	A.R.	60 ÷ 300	
PEP.VZE13X20M10X..L	13	20	35	12,4	M10	A.R.	80 ÷ 300	
PEP.VZE13X20M12X..L	13	20	35	12,4	M12	A.R.	100 ÷ 300	

Enter the stud length choice in the two .. of the article code. Lengths by request with 100 pieces minimum quantity.

These studs are compatible with the following foot bases: • PIE.040S12,4 • PIE.050S12,4 • PIE.060S12,4 • PIE.080S12,4

### Version hexagon 13 with ball joint R 12,4 - Stainless Steel AISI 303

Art.	E	s	h	R	d1 6g	Q	Q <>	⚖
PEP.INE13X20M08X..L	13	20	35	12,4	M08	A.R.	50 ÷ 300	
PEP.INE13X20M10X..L	13	20	35	12,4	M10	A.R.	70 ÷ 300	
PEP.INE13X20M12X..L	13	20	35	12,4	M12	A.R.	100 ÷ 300	

Enter the stud length choice in the two .. of the article code. Lengths by request with 100 pieces minimum quantity.

These studs are compatible with the following foot bases: • PIE.040S12,4 • PIE.050S12,4 • PIE.060S12,4 • PIE.080S12,4

### Version hexagon 17 with ball joint R 15 - Zinc plated steel

Art.	E	s	h	R	d1 6g	Q	Q <>	⚖
PEP.VZE17X20M12X..L	16	20	37	15	M12	A.R.	135 ÷ 300	
PEP.VZE17X20M14X..L	16	20	37	15	M14	A.R.	135 ÷ 300	
PEP.VZE17X20M16X..L	16	20	37	15	M16	A.R.	195 ÷ 300	

Enter the stud length choice in the two .. of the article code. Lengths by request with 100 pieces minimum quantity.

These studs are compatible with the following foot bases: • PIE.060S15 • PIE.080S15 • PIE.105S15 • PIE.130S15

### Version hexagon 17 with ball joint R 15 - Stainless Steel AISI 303

Art.	E	s	h	R	d1 6g	Q	Q <>	⚖
PEP.INE17X20M12X..L	17	20	37	15	M12	A.R.	95 ÷ 300	
PEP.INE17X20M14X..L	17	20	37	15	M14	A.R.	135 ÷ 300	
PEP.INE17X20M16X..L	17	20	37	15	M16	A.R.	175 ÷ 300	

Enter the stud length choice in the two .. of the article code. Lengths by request with 100 pieces minimum quantity.

These studs are compatible with the following foot bases: • PIE.060S15 • PIE.080S15 • PIE.105S15 • PIE.130S15

## STEEL TURNED THREADED STUD WITH BALL JOINT AND WITH WRENCH SEAT

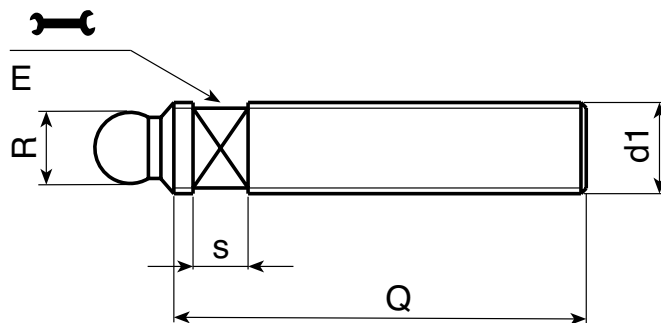
**Material:** Automatic steel.

**Surface:** Blue zinc plated.

**Thread:** Thread with 6g tolerance.

**SPECIAL REQUESTS:**

- It is possible to supply the inserts with different lengths or different design, on request and for quantities.



**Version M16 with ball joint R 12,4**

Art.	E	s	R	d1	Q	
PEP.VZTM16X..Z3	13	7	12,4	M12	50-70-90-110-130-150-170	72-98-124-150-176-202-228

Enter the stud length choice in the two .. of the article code. Lengths by request with 100 pieces minimum quantity.

These studs are compatible with the following foot bases: • PIE.040S12,4 • PIE.050S12,4 • PIE.060S12,4 • PIE.080S12,4

**Version M20-M24 with ball joint R 15**

Art.	E	s	R	d1	Q	
PEP.VZTM20X..Z3	16	7	15	M20	50-70-90-110-130-150-170-190-210	142-174-206-238-270-305-337-370-405
PEP.VZTM24X..Z3	19	7	15	M24	70-90-110-130-150-170-190-210	270-330-390-450-510-570-630-690

Enter the stud length choice in the two .. of the article code. Lengths by request with 100 pieces minimum quantity.

These studs are compatible with the following foot bases: • PIE.060S15 • PIE.080S15 • PIE.105S15 • PIE.130S15

**Version M24-M30 with ball joint R 24**

Art.	E	s	R	d1	Q	
PEP.VZTM24X..Z5	19	10	24	M24	70-90-110-130-150-170	270-330-390-450-510-570
PEP.VZTM30X..Z5	27	12	24	M30	90-110-130-150-170-190-210	461-550-637-725-813-900-990

Enter the stud length choice in the two .. of the article code. Lengths by request with 100 pieces minimum quantity.

These studs are compatible with the following foot bases: • PIE.080S24 • PIE.105S24 • PIE.130S24



# PIE. 40-50-60



## PLASTIC FOOT BASE WITH BALL JOINT

### Material:

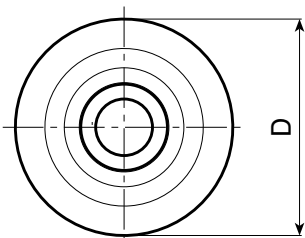
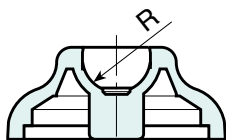
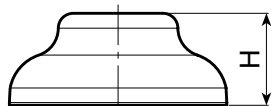
Reinforced polyamide. Oils and greases resistant.

Surface: Satin.

Colour: Black (RAL 9011).

### SPECIAL REQUESTS:

- Upon request and for special quantities the foot can be supplied in Orange (RAL 2004).



Art.	D	H	R	g	F1 (N)
PIE.040S12.4	40	17	12,4	12	10000
PIE.050S12.4	50	18	12,4	16	10000
PIE.060S12.4	60	20	12,4	25	10000
PIE.060S15	60	20	15	24	15000
PIE.060S24	60	20	24	24	15000

# PIE. 80-105-130



## PLASTIC FLOOR-ANCHOR FOOT BASE WITH BALL JOINT

### Material:

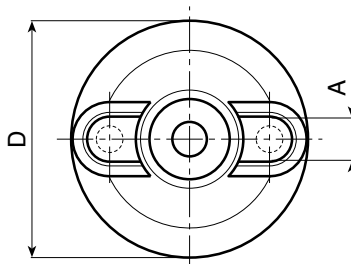
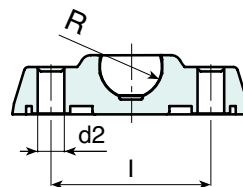
Reinforced polyamide. Oils and greases resistant.

Surface: Satin.

Colour: Black (RAL 9011).

### SPECIAL REQUESTS:

- Upon request and for special quantities the foot can be supplied in Orange (RAL 2004).



Art.	D	H	h	l	A	d2	R	g	F1 (N)
PIE.080S12.4	80	20	20	54	16	9 (M08)	12,4	49	10000
PIE.080S15	80	20	20	54	16	9 (M08)	15	45	13000
PIE.080S24	80	20	20	54	16	9 (M08)	24	47,5	25000
PIE.105S15	105	22	21	74	18,5	11 (M10)	15	99	15000
PIE.105S24	105	22	21	74	18,5	11 (M10)	24	97	25000
PIE.130S15	130	24	21	99	20	13 (M12)	15	165	17000
PIE.130S24	130	24	21	99	20	13 (M12)	24	163	25000